

MICRO SWITCH
a Honeywell Division

FED. MFG. CODE 91929

**MINIATURE PRECISION
LIMIT SWITCH**

CATALOG LISTING

914CE2-3

914CE2-3

M

DRAWING
NUMBER

8

ISSUE

RELEASE NO. PR-1444-T REPLACES

CHECK

REVISIONS

A CO-69061
S A V
31 AUG 91

CHECK

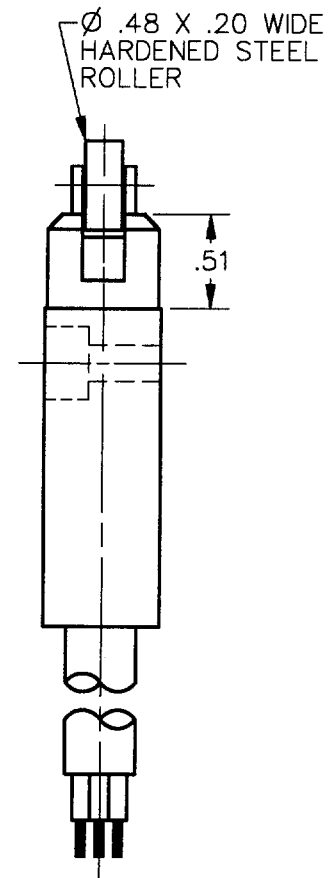
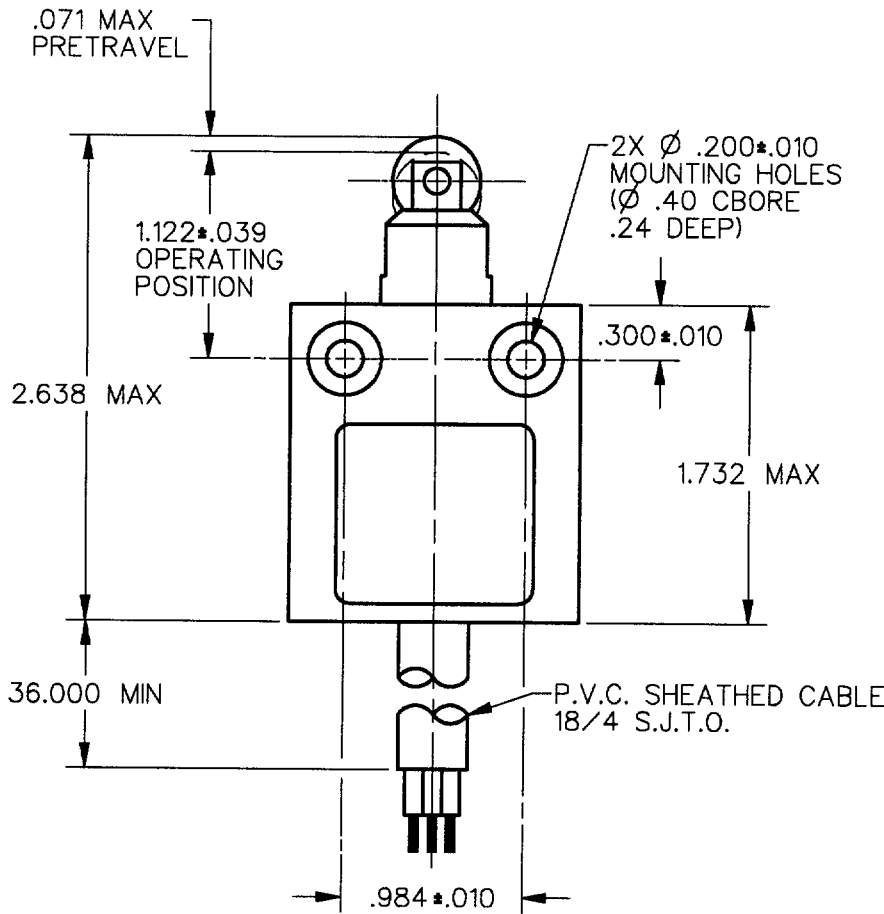
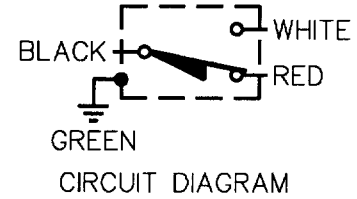
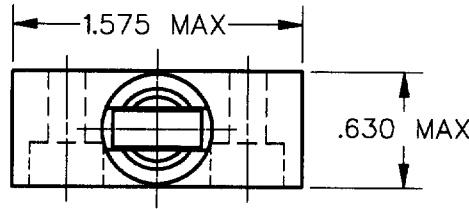
13 NOV 91

CHECK

CHECK

S A V 31 AUG 91

DDM/CAD
DRAWN



NOTES



1 - ZINC HOUSING FINISHED WITH GRAY PAINT

ANSI Y14.5M-1982 APPLIES

THIS DRAWING COVERS A PROPRIETARY ITEM AND IS THE PROPERTY OF MICRO SWITCH, A DIVISION OF HONEYWELL. THIS DRAWING IS NOT TO BE COPIED OR USED WITHOUT THE APPROVAL OF MICRO SWITCH.

THIRD ANGLE PROJECTION



CHARACTERISTICS	ELECTRICAL DATA	SCALE	FULL	DO NOT SCALE PRINT
OPERATING FORCE — — — 2.7 LB MAX	CONTACT ARRANGEMENT S P D T	UNLESS OTHERWISE SPECIFIED TOLERANCES ARE	ONE PLACE (.0)	± .030
RELEASE FORCE — — — 1.0 LB MIN	5A - 250 VAC 1/10HP - 125 OR 250 VAC		TWO PLACE (.00)	± .015
DIFFERENTIAL TRAVEL — — — .004 MAX			THREE PLACE (.000)	± .005
OVERTRAVEL — — — .118 MIN	 		ANGLES	±
			WEIGHT	